

We build a better future

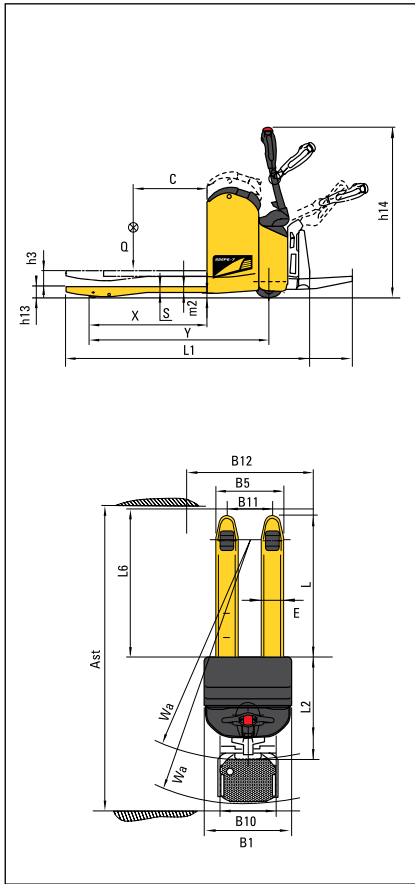


# 22EP6-7

# 22EP9-7

WAREHOUSE EQUIPMENT Electric pallet trucks

## DIMENSIONS



## DETAIL



## SPECIFICATIONS

| Identification   |  | 22 EP6 - 7                   | 22 EP9 - 7            |
|------------------|--|------------------------------|-----------------------|
| 1.1              | Manufacturer   | Hyundai                      | Hyundai               |
| 1.2              | Type   | 22EP6-7                      | 22EP9-7               |
| 1.3              | Drive: electric (battery or mains), diesel, petrol, fuel gas, manual | Battery                      | Battery               |
| 1.4              | Type of operation: hand, pedestrian, standing, seated, order-picker  | pedestrian, standing         | pedestrian, standing  |
| 1.5              | Load capacity (standard)   | kg 2200                      | 2200                  |
| 1.6              | Load center distance   | C mm 600                     | 600                   |
| 1.8              | Load distance, fork face to track wheels (raised position)           | X mm 953                     | 953                   |
| 1.9              | Wheelbase (drive axle to track wheels) raised / lowered              | Y mm 1452 / 1392             | 1452 / 1392           |
| Weights          |  |                              |                       |
| 2.1              | Service weight   | kg 600                       | 605                   |
| 2.2              | Axle loading, loaded front / rear                                    | kg 1234 / 1566               | 1237 / 1568           |
| 2.3              | Axle loading, unloaded front / rear                                  | kg 420 / 180                 | 425 / 182             |
| Wheels           |  |                              |                       |
| 3.1              | Tires  | Polyurethane                 | Polyurethane          |
| 3.2              | Tires size, front  | mm 1 x (230 x 75)            | 1 x (230 x 75)        |
| 3.3              | Tires size, rear   | mm 4 x (82 x 70)             | 4 x (82 x 70)         |
| 3.4              | Outrigger dimensions   | mm 2 x (120 x 40)            | 2 x (120 x 40)        |
| 3.5              | Wheels, number front / rear (X = driven wheels)                      | 1 x 2/4                      | 1 x 2/4               |
| 3.6              | Track width, front   | B10 mm 435                   | 435                   |
| 3.7              | Track width, rear  | B11 mm 365 - 505             | 365 - 505             |
| Basic dimensions |  |                              |                       |
| 4.4              | Lift height (standard)   | h3 mm 125                    | 125                   |
| 4.9              | Height of tiller in drive position (max)                             | h14 mm 1340                  | 1340                  |
| 4.15             | Height of forks (lowered)  | h13 mm 85                    | 85                    |
| 4.19             | Overall length   | L1 mm 2329 (1979)            | 2329 (1979)           |
| 4.20             | Length to face of forks  | L2 mm 1179 (829)             | 1179 (829)            |
| 4.21             | Overall width  | B1 mm 680                    | 680                   |
| 4.22             | Fork dimensions  | S x E x L mm 45 x 175 x 1150 | 45 x 175 x 1150       |
| 4.25             | Width over forks   | B5 mm 540 - 680              | 540 - 680             |
| 4.32             | Ground clearance, centre of wheelbase                                | m2 mm 35                     | 35                    |
| 4.34             | Aisle width for pallets lengthways                                   | Ast mm 2530 (2180)           | 2579 (2199)           |
| 4.35             | Turning radius (raised / lowered)                                    | Wa mm 2130 (2070)            | 2130 (2070)           |
| Performance data |  |                              |                       |
| 5.1              | Travel speed, loaded / unloaded                                      | km / h 5,6 / 6               | 8,5 / 9               |
| 5.2              | Lift speed, loaded / unloaded  | mm / s 290 / 380             | 290 / 380             |
| 5.3              | Lowering speed, loaded / unloaded                                    | mm / s 500 / 450             | 500 / 450             |
| 5.8              | Max. Gradient performance, loaded / unloaded                         | % 10 / 20                    | 12 / 20               |
| 5.10             | Service brake  | Electromagnetic              | Electromagnetic       |
| 5.11             | Parking brake  | Handle release               | Handle release        |
| Drive unit       |  |                              |                       |
| 6.1              | Drive motor rating (S2 60 min)                                       | kW 1                         | 1,4                   |
| 6.2              | Lift motor rating at S3 10%  | kW 1                         | 1                     |
| 6.3              | Battery acc. To DIN43531 / 35 / 36, A, B, C                          | Traction                     | Traction              |
| 6.4              | Battery voltage / nominal capacity                                   | V / Ah 24 / 270 (360)        | 24 / 270 (360)        |
| 6.5              | Battery weight (+/- 5%)  | kg 270 / 360                 | 270 / 360             |
| Other details    |  |                              |                       |
| 8.1              | Type of drive control  | Sepex Mosfet Variator        | Sepex Mosfet Variator |
| 8.4              | Sound level at driver's ear (driving)                                | dB (A) 65                    | 65                    |

PLEASE CONTACT