

# Alfa SMALL SL 12V 55-105/16

**ALFA SMALL SL 12V**, ALFA semi-electric stackers combine the machine manual traction with electric elevation with 12V battery, and represent the ideal solution for moving medium-light loads: forks are lifted and lowered through the corresponding ascent/descent push-buttons installed on the machine body.

The ALFA SMALL SL 12V 08 version features a lifting system with single stage mast and allows nominal capacities up to 1000 Kg with lifting height to 1600mm.



## ADVANTAGES

### ADAPTABILITY TO THE LOAD:

Manually adjustable forks on fork holder plate; by means of a simple gesture, it is possible to work with the stacker moving loads of different dimensions, and to adapt the machine to the operator's requirements.

### ALTERNATIVE SUPPLY:

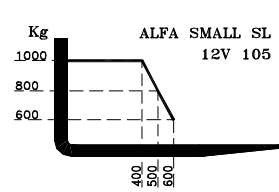
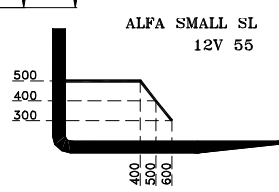
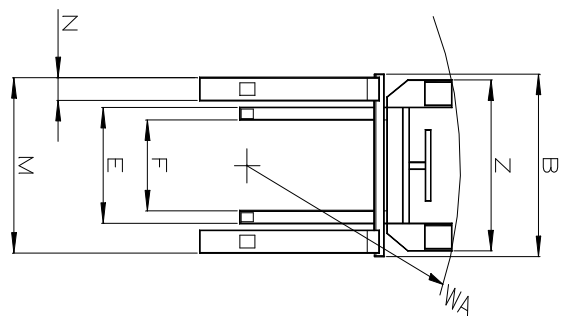
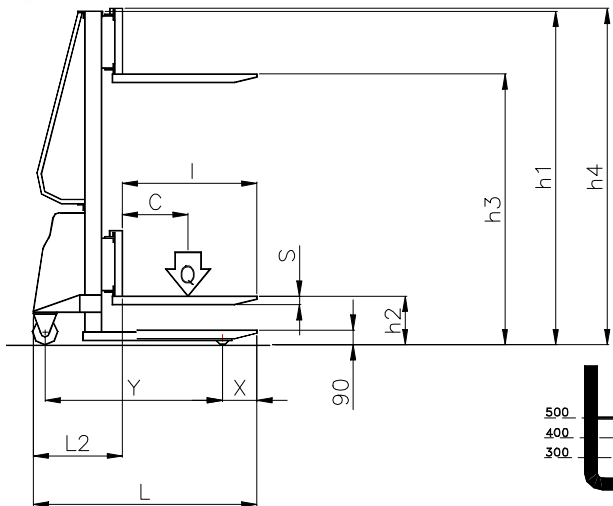
In addition to the version fed by rechargeable battery through the corresponding built-in battery charger, it is also possible to have 220/380V supply, for service in fixed stations or with minimum displacement, everything for the benefit of efficiency and quickness of use.

### SHOCKPROOF CASING:

made of sheet steel and ABS for containing all the primary components, control unit, battery, battery charger, etc.

## STANDARD EQUIPMENT

- ▶ 12V 10A electronic battery charger with microprocessor.
- ▶ 12v 80 Ah battery
- ▶ Manual traction.
- ▶ Emergency button.
- ▶ Push-button control for forks.
- ▶ 800mm-long adjustable forks
- ▶ Electric limit switch.
- ▶ Protection fuse.
- ▶ Single polyurethane roller.
- ▶ Parking brake.
- ▶ Total free lift.
- ▶ Chromed oleodynamic piston.
- ▶ Polyamide wheels with polyurethane covering.



|   | 55      | 105     |
|---|---------|---------|
| M | 200/800 | 240/800 |
| N | 100     | 120     |
| E | 520     | 530     |
| F | 405     | 350     |

## Technical sheet ALFA SL Small

| Specifications                        |         | Producer | Armanni       | Armanni        |
|---------------------------------------|---------|----------|---------------|----------------|
| Models                                |         |          | Alfa small 55 | Alfa small 105 |
| Capacity                              | Q (Kg)  |          | 500           | 1000           |
| Barycenter                            | C (mm)  |          | 400           | 400            |
| Traction                              |         |          | Manual        | Manual         |
| Driving                               |         |          | Handles       | Handles        |
| Weight                                | Kg      |          | 156           | 210            |
| Wheels front/rear                     |         |          | solid/solid   | solid/solid    |
| Dimensions                            |         |          |               |                |
| Lifting                               | h3(mm)  |          | 1600          | 1600           |
| Free Lifting                          | h2 (mm) |          | 1600          | 1600           |
| Forks Thickness                       | s (mm)  |          | 50            | 55             |
| Length                                | L (mm)  |          | 1380          | 1380           |
| Length with forks carrier             | L2(mm)  |          | 580           | 580            |
| Width                                 | B (mm)  |          | 800           | 800            |
| Truck height - forks on ground        | h1 (mm) |          | 1990          | 1990           |
| Max height truck                      | h4 (mm) |          | 1240          | 1240           |
| Turning radius                        | Wa (mm) |          | 1135          | 1135           |
| Distance of the loading               | X (mm)  |          | 200           | 200            |
| Storage corridor Width*               | mm      |          | /             | /              |
| Distance between axes                 | y (mm)  |          | 1120          | 1120           |
| Performances                          |         |          |               |                |
| Lifting motor                         | Kw      |          | /             | /              |
| Lifting with/without loading          | m/sec   |          | 0,07 / 0,13   | 0,07 / 0,13    |
| Descent with/without loading          | m/sec   |          | 0,13 / 0,07   | 0,13 / 0,07    |
| Max top gradient with/without loading | %       |          | 0.8           | 0.8            |
| Brakes                                |         |          | Manual        | Manual         |
| Battery                               | Ah      |          | 80            | 80             |
| Weight Battery                        | Kg      |          | 20            | 20             |
| Battery charger                       | 24 V    |          | 10            | 10             |

Characteristics and dimensions are not binding. Armanni has the right to carry out any kind of variation without the obligation of a written advance notice.

\* Excluding the area of safety for operator